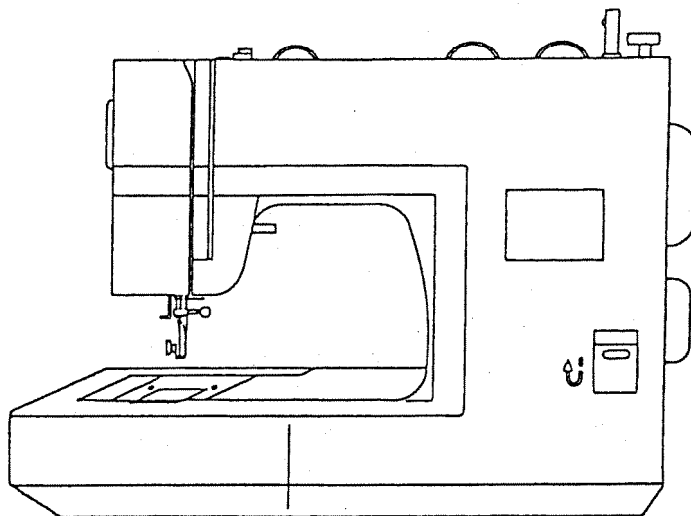

INSTRUCTION BOOK 2037



WHITE

www.whitesewing.com

“IMPORTANT SAFETY INSTRUCTIONS”

When using an electrical appliance, basic safety precautions should always be followed, including the following.

Read all instructions before using this sewing machine.

DANGER - To reduce the risk of electric shock:

1. This sewing machine should never be left unattended when plugged in. Always unplug this sewing machine from the electric outlet immediately after using and before cleaning.
2. Always unplug before replacing light bulb. Replace bulb with same type rated 15 watts.

WARNING - To reduce the risk of burns, fire, electric shock, or injury to persons:

1. Do not allow to be used as a toy. Close attention is necessary when this sewing machine is used by or near children.
2. Use this sewing machine only for its intended use as described in this manual. Use only attachments recommended by the manufacturer as contained in this manual.
3. Never operate this sewing machine if it has a damaged cord or plug, if it is not working properly, if it has been dropped or damaged, or dropped into water. Return the sewing machine to the nearest authorized dealer or service center for examination, repair, electrical or mechanical adjustment.
4. Never operate the sewing machine with any air openings blocked. Keep ventilation openings of the sewing machine and foot control free from the accumulation of lint, dust, and loose cloth.
5. Never drop or insert any object into any opening.
6. Do not use outdoors.
7. Do not operate where aerosol (spray) products are being used or where oxygen is being administered.
8. To disconnect, turn switch to the Off position, then remove plug from outlet.
9. Do not unplug by pulling on cord. To unplug, grasp the plug, not the cord.
10. Keep fingers away from all moving parts. Special care is required around the sewing machine needle.
11. Never sew with a damaged needle plate as this can cause needle to break .
12. Do not use bent needles.
13. Do not pull or push fabric while stitching. It may deflect the needle causing it to break.

14. Switch the sewing machine Off when making any adjustments in the needle area, such as threading needle, changing needle, threading bobbin, or changing presser foot, etc.
15. Always unplug sewing machine from the electrical outlet when removing covers, lubricating, or when making any other user servicing adjustments mentioned in the instruction manual.

CAUTION - Moving parts - To reduce risk of injury, switch off before servicing.
Close cover before operating machine.

SAVE THESE INSTRUCTIONS

This product is for household use, or equivalent.

FOOT CONTROL (USA ONLY)

ELECTRONIC MODEL

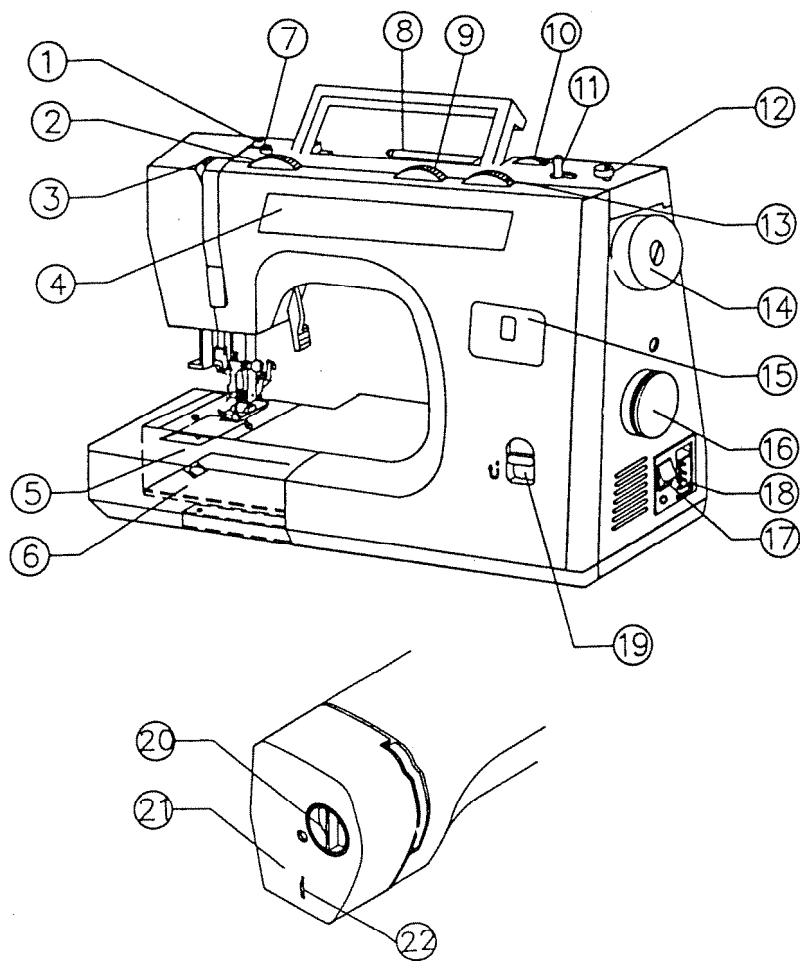
Use Matsushita Electric, Model 4C-316B with this sewing machine.

POLARIZED PLUGS CAUTION

This appliance has a polarized plug (one blade wider than the other). To reduce the risk of electric shock, this plug is intended to fit in a polarized outlet only one way. If the plug does not fit fully in the outlet, reverse the plug. If it still does not fit, contact a qualified electrician to install the proper outlet. Do not modify the plug in any way.

TABLE OF CONTENTS

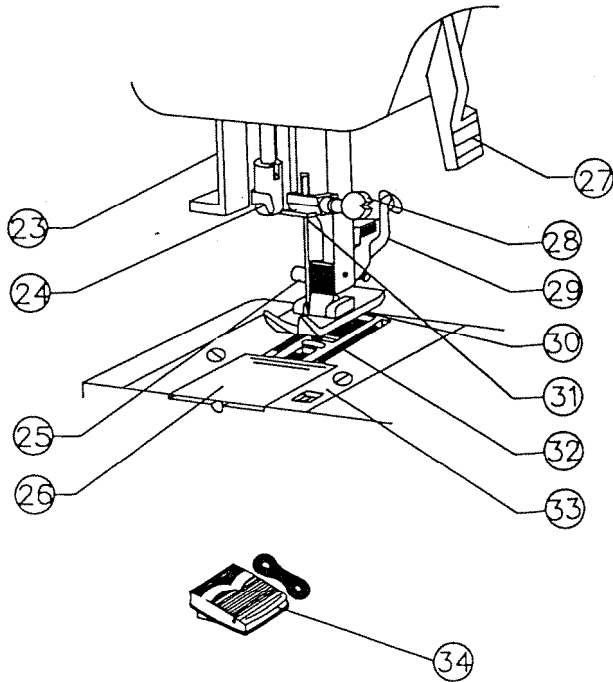
Know your machine.....	4-5	Insert zippers and piping	22
Accessories.....	6	Machine quilting/Piecing.....	23
Setting up your white sewing machine.....	7	Reinforced straight stitch.....	24
Spool pins.....	8	Blind hem stitch.....	25
Bobbin winding.....	9	Multiple zig zag stitch.....	26
Inserting the bobbin.....	10	Ligerie sewing seam and overcast.....	27
Needle, thread and fabric chart.....	11	Overlock stitch.....	28
Threading the top thread.....	12	Joining stitch.....	29
Needle threader.....	13	Stretch seam and overlock stitch.....	30
Bringing up bobbin thread.....	14	Decorative embroidery stitches.....	31
Top thread tension.....	15	Reinforced	32
Changing presser feet, feed teeth lever.....	16	Mending.....	33
Stitch Pattern selector and indicator.....	17	Decorative stitches.....	34
Stitch length and stretch stitch setting.....	17	Buttonholes.....	35-36
Reverse stitch lever.....	18	Optional accessories.....	37
Presser foot pressure dial.....	18	Twin needle sewing.....	38
Stitch width dial, free arm sewing.....	19	Caring for your machine.....	39
Straight stitch, starting to sew.....	20	Cleaning shuttle race.....	40
Removing fabric.....	21	Changing light bulb.....	41



KNOW YOUR MACHINE

- 1.Thread guide for upper thread
- 2.Thread tension dial
- 3.Thread take up
- 4.Stitch Patterns
- 5.Flat bed extension
- 6.Feed teeth lever
- 7.Tension disk for bobbin winding
- 8.Horizontal spool pin
- 9.Stitch width dial
- 10.Buttonhole density dial
- 11.Bobbin winder spindle
- 12.Bobbin winder stopper
- 13.Stitch length dial
- 14.Hand wheel
- 15.Stitch selection window
- 16.Stitch pattern selector dial
- 17.On/off power and light switch
- 18.Plug socket for power cord
- 19.Reverse stitch lever
- 20.Presser foot pressure dial
- 21.Face cover plate
- 22.Thread cutter

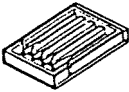
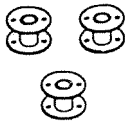


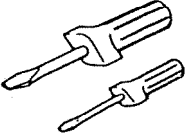
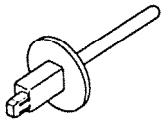
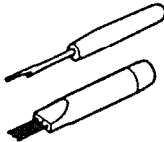


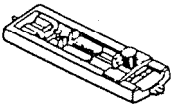




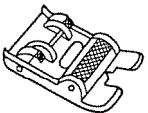
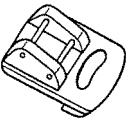
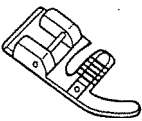
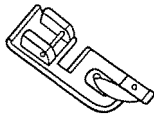
KNOW YOUR MACHINE



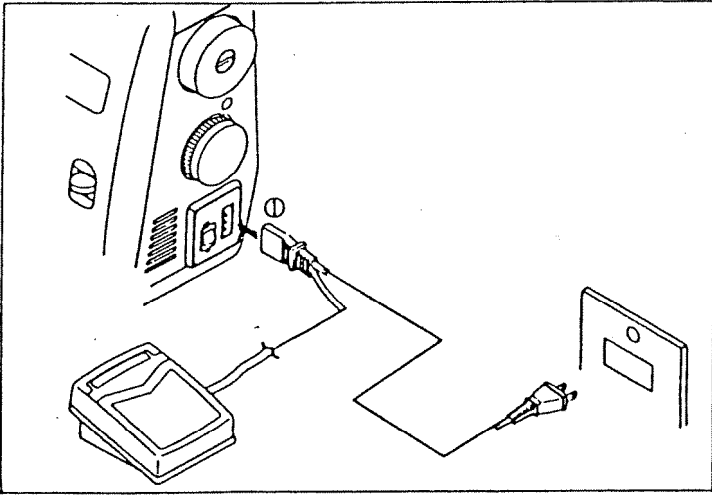
- 23. Automatic needle threader
- 24. Thread guide
- 25. Presser foot screw
- 26. Bobbin cover plate
- 27. Lever to raise and lower presser foot
- 28. Needle clamp screw
- 29. Lever to release presser foot
- 30. Presser foot
- 31. Thread guide
- 32. Feed teeth
- 33. Needle plate
- 34. Foot control

ACCESSORIES

1. Needles
2. Bobbins
3. Spool pin cap for large thread spools
4. Spool pin cap for small thread spools
5. Screwdriver
6. Spool pin
7. Seam ripper/buttonhole cutter and brush
8. Oil
9. Zipper foot
10. Buttonhole foot
11. Blind Hem foot
12. Straight Stitch foot
13. Spool pin felt
14. 1/4" piecing foot
15. Rolled Hem foot
16. Gathering foot
17. Cording foot
18. Ruller foot

				
①	②	③	④	⑤
				
⑥	⑦	⑧	⑨	⑩
				
⑪	⑫	⑬	⑭	⑮
				
⑯	⑰	⑱		

Welcome to the wonderful world of sewing with your new White Sewing Machine. Be sure to watch the video and read through this Instruction Book for the basic information you'll need to get started.

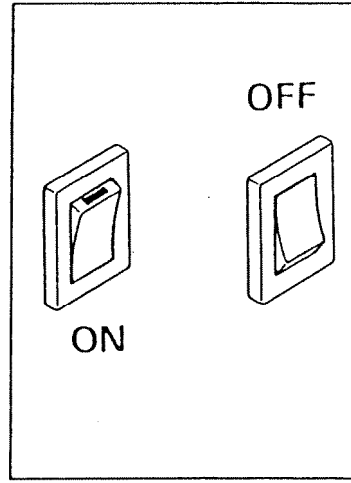


SETTING UP YOUR WHITE SEWING MACHINE ELECTRICAL CONNECTION

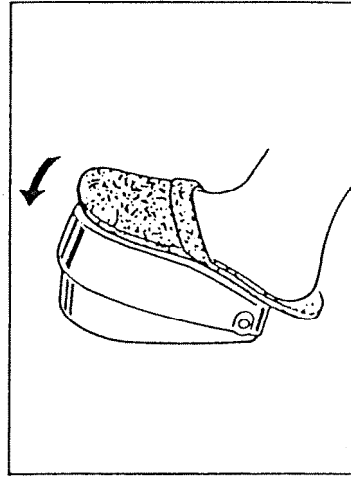
1. Connect the foot control to the machine by inserting the 3-hole plug into the socket located on the right side of the sewing machine.
2. Plug the power cord into a wall outlet.
3. Turn the power on/off switch on the right side of the machine to the on position.

POLARIZED PLUG INFORMATION

This machine has a polarized plug (one blade is wider than the other). To reduce the risk of electric shock, this plug is intended to fit in a polarized outlet only one way. If the plug does not fit fully into the outlet, reverse the plug. If it still does not fit, contact a qualified electrician to install the proper outlet. Do not modify the plug in any way.



Turning the power switch ON automatically turns on the sewing light.



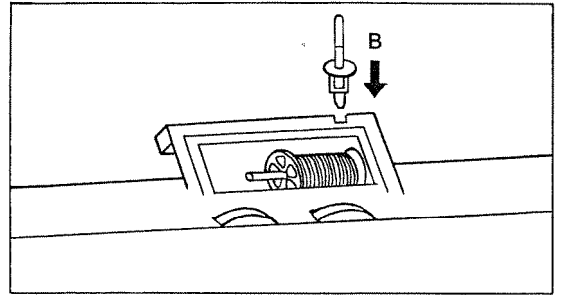
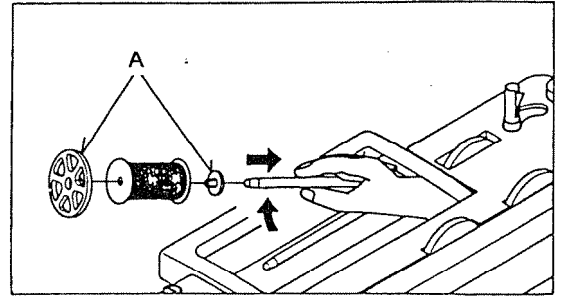
The sewing speed is regulated by how much the foot control is pushed down.

CAUTION:

When the machine is not in use or when cleaning the machine, unplug the main power cord from the wall outlet.

SPOOL PINS

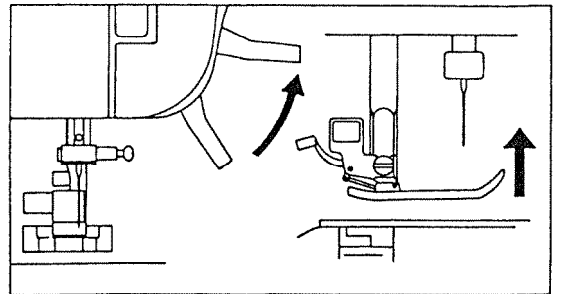
Place a spool of thread on the spool pin. Secure it with the spool cap(A) leaving a gap between the spool cap and the thread so the spool of thread can rotate freely. Use the large spool cap for large spools of thread and the small spool cap for smaller spools. The second spool pin (B) can be inserted into the square hole on the handle to use a second spool of thread.



PRESSER FOOT LEVER

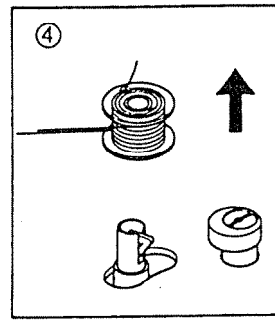
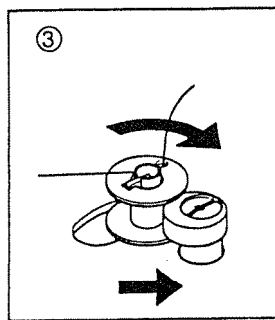
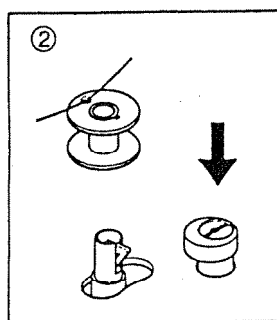
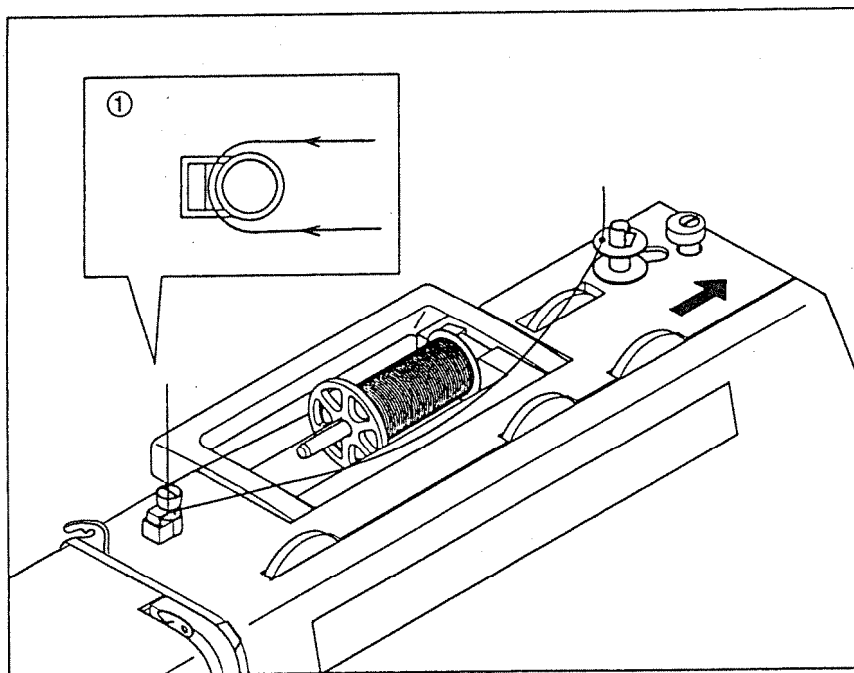
There are three positions for your presser foot.

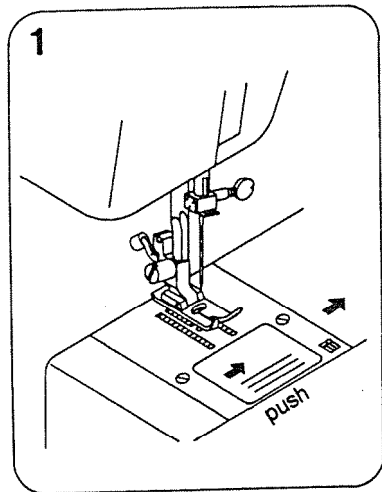
1. Lower the presser foot to sew.
2. Raise the presser foot lever to the middle position to insert or remove fabric.
3. Lift the presser foot lever to the highest position to insert or remove thick fabrics or to change the presser foot.



BOBBIN WINDING

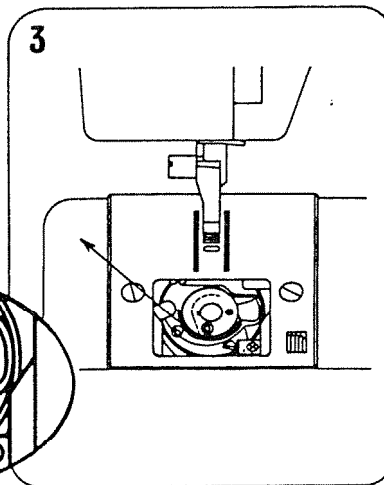
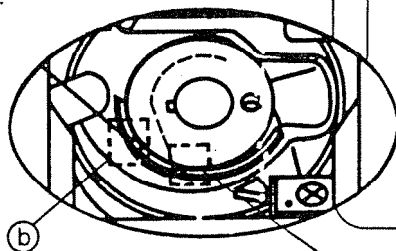
1. Place the thread spool on the spool pin and bring the thread around the bobbin winding tension disc as illustrated.
2. Put the end of the thread through the hole in the bobbin as shown
3. Push the bobbin winder spindle to the left position and place the bobbin onto the spindle with the thread end coming from the top of the bobbin. Push the bobbin winder spindle to the right until it clicks. Hold on to the thread end.
4. Press on the foot control to start winding the bobbin. Stop and cut the thread end. Press on the foot control again to wind the bobbin. It will stop when full. Push the spindle to the left and remove the bobbin.



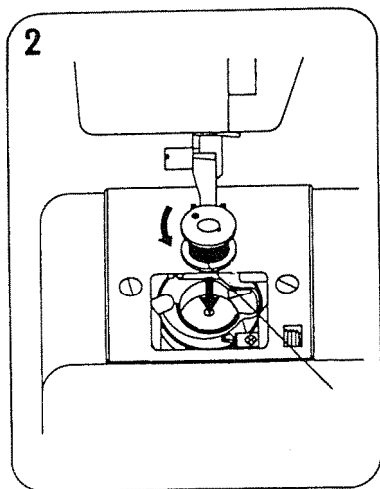


INSERTING THE BOBBIN

To remove the bobbin cover, push the black button to the right while pushing on the left front of the cover (where it says push). Lift the cover off.



Pull out about 5 inches of thread (there should be tension on the thread and the bobbin should turn counter-clockwise) and replace the bobbin cover.



Hold the bobbin with the thread coming off the left side and drop it into the bobbin case in the machine.

Hold the bobbin with your left index finger to keep it from turning and pull the thread end into the tension slot (A) up to the left (B).

NEEDLE, THREAD AND FABRIC CHART

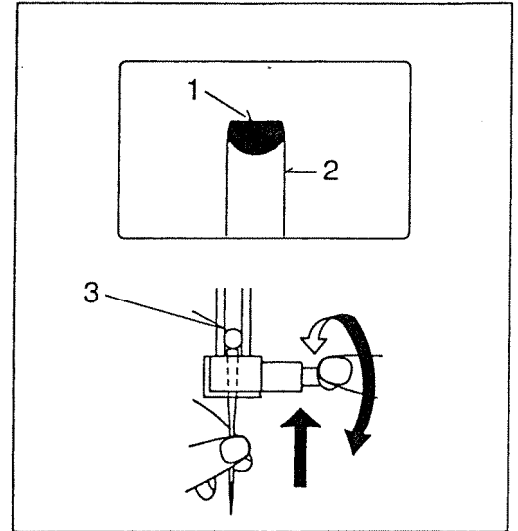
Use the standard needles. The size of your needle should match the size of the thread and both should match the fabric.

For normal sewing, the same size and type of thread should be used in the bobbin as on the upper part of the machine.

Never use a bent or blunt needle.

For successful sewing of stretch fabrics use stretch needles.

Thread Size	Needle Size	Fabric
Cotton 60 - 100 Synthetic Machine embroidery	Stretch needle	All stretch fabrics.
Cotton Synthetic Silk A Machine embroidery	70 or 80	Sheer cottons, silk synthetics, fine laces, batiste, dimity.
Cotton 60 - 80 Mercerized 50 -60 Synthetic	80 or 90	Medium weight cottons, medium weight synthetics, poplin, seersucker, gingham, velvet, light weight woolens, linen.
Cotton 30-60 Mercerized heavy duty	100	Heavy weight cotton, medium to heavy weight woolens, denim



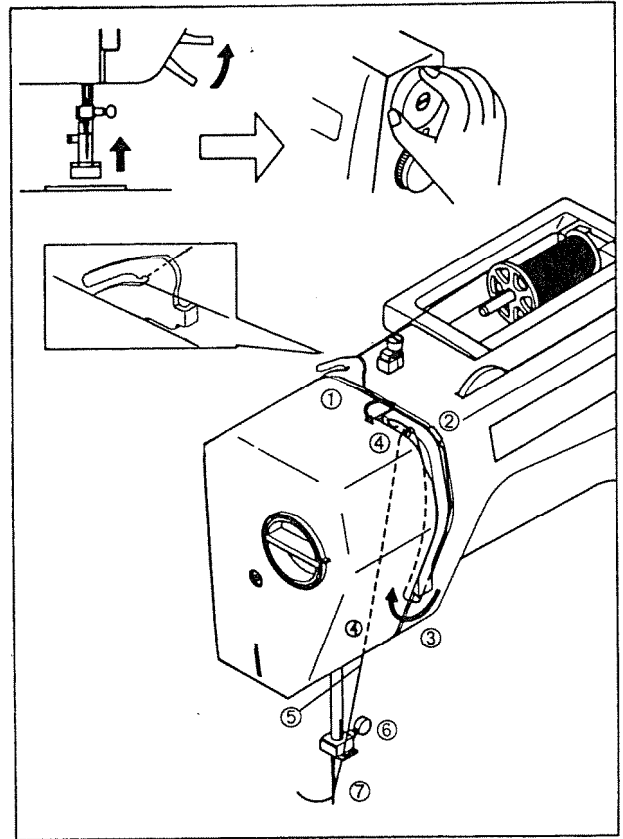
Changing the needle

1. Raise the needle bar to its highest position by turning the hand wheel towards you.
2. Loosen the needle clamp screw by turning it towards you.
3. Remove the needle by pulling it downward.
4. Insert the new needle into the needle clamp with the flat side away from you.
5. Push the needle up as far as it can go.
6. Tighten the needle clamp screw firmly with the screw driver.

Illustration 1 : Flat side 3 : Stop
2 : Needle

THREADING THE TOP THREAD

1. Raise the presser foot lever to the up position. Be sure to thread with the presser foot up so the tension is released.
2. Raise the needle to the highest position by turning the hand wheel toward you.
3. Thread the machine in the following order: Bring the thread across the first guide (1). Bring the thread across the top of the machine to the tension disk (2). (The thread can lay on either side of the disk.) Bring the thread straight down, under guide (3) and back up to the thread take up (4). Drop the thread into the take up lever from right to left and down to guide (5). Then place thread behind guide (6) and through the needle from front to back. (see page 15 to use built-in needle threader.)



AUTOMATIC NEEDLE THREADER

Raise the needle to the highest position by turning the hand wheel toward you.

1. Hook the thread around the thread guide on the left as illustrated.

2. Pull down the lever holding the end of the thread.

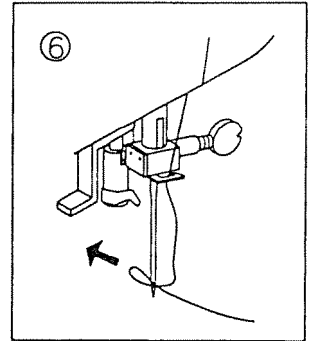
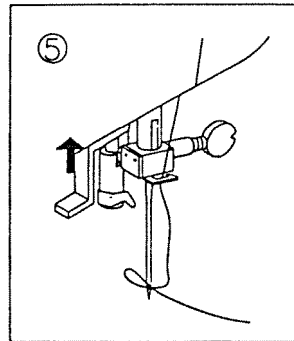
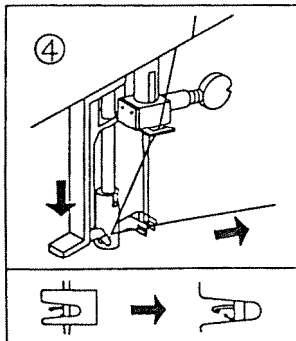
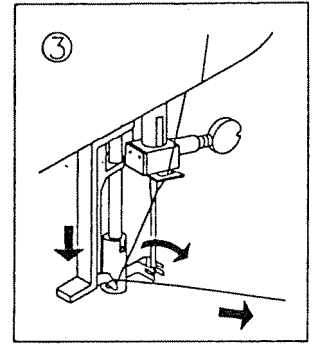
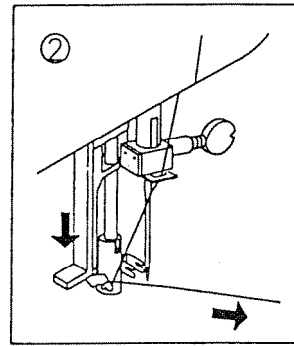
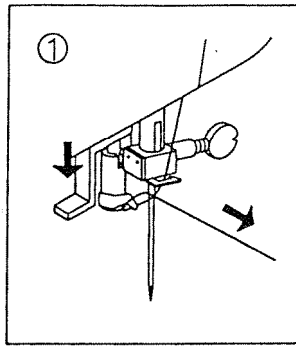
3. Hold the lever as far down as it will go.

4. Guide the thread into the hook that is coming through the eye of the needle and hold it upward and to the right.

5. Release the lever and a loop of thread will be pulled through the needle.

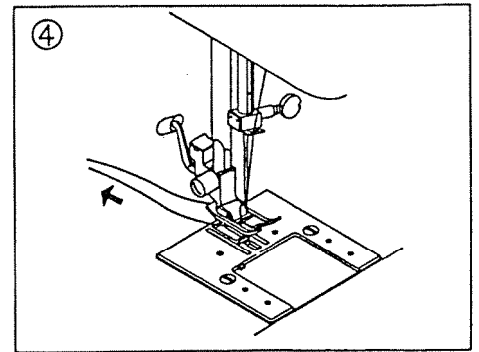
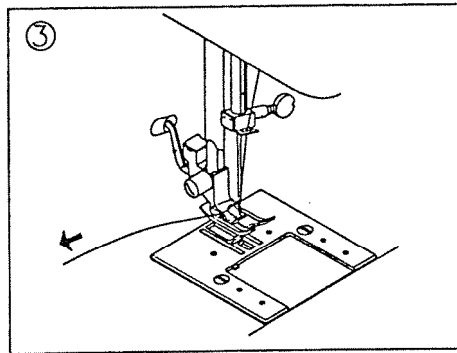
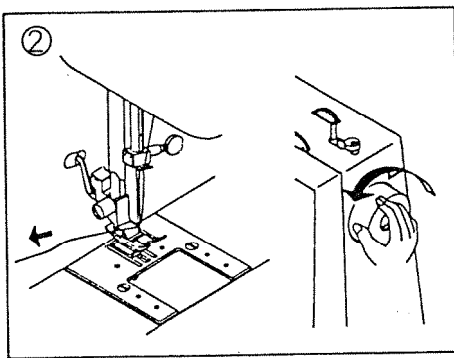
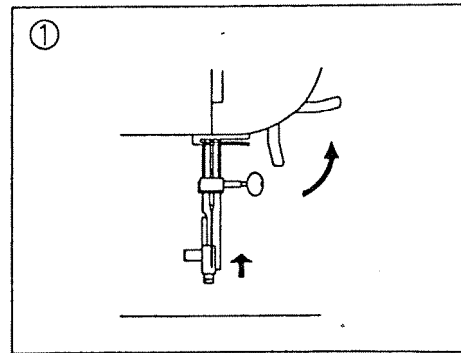
6. Grasp the loop and pull the thread through the needle eye.

Note: It is recommended to set the machine at a center needle straight stitch when using the needle threader.



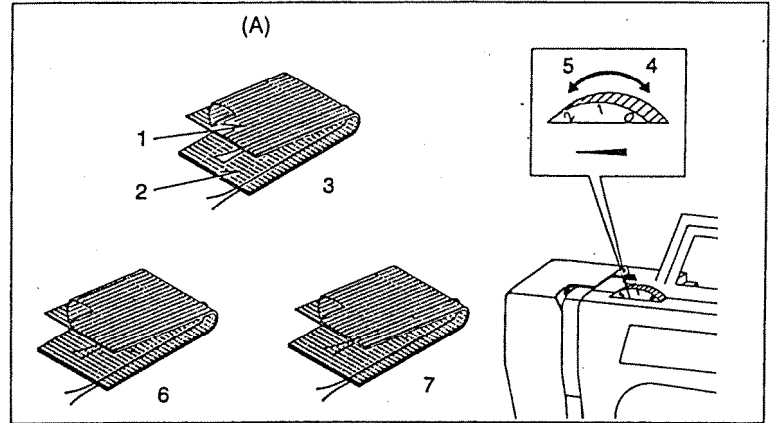
BRINGING UP BOBBIN THREAD

1. Raise the presser foot lever.
2. Hold the needle thread loosely with your left hand and turn the hand wheel toward you until the needle goes down into the needle plate and back up to the highest position.
3. Lightly pull the top thread upward until a loop of bobbin thread comes up.
4. Grasp the bobbin thread and pull both top and bobbin threads under the presser foot and to the back leaving about 5 inches of thread.



ADJUSTING TOP THREAD TENSION

A balanced stitch is determined by the tension of both top and bobbin threads. The tension is correct when these two threads "lock" in the middle of the fabric layers you are sewing. Set the tension dial at about 3 for normal sewing. If you find the stitch is irregular, rethread the machine. Be sure the presser foot is up when you thread. If the tension is still irregular, adjust the top tension by turning the dial one number at a time and sewing a sample to check the stitch.

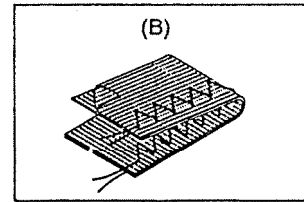


ZIG ZAG STITCHING

The top thread may appear on the underside of the fabric depending on the thread type, fabric, stitch, and sewing speed but the bobbin thread should not appear on the top of the fabric. Illustration A: Straight stitching

- 1.Underside
- 2.Top side
- 3.Well balanced tension
- 4.Decrease top tension-set dial to lower number
- 5.Increase top tension-set dial to higher number
- 6.Top stitch too tight
- 7.Top stitch too loose

Illustration B: Zig Zag stitching



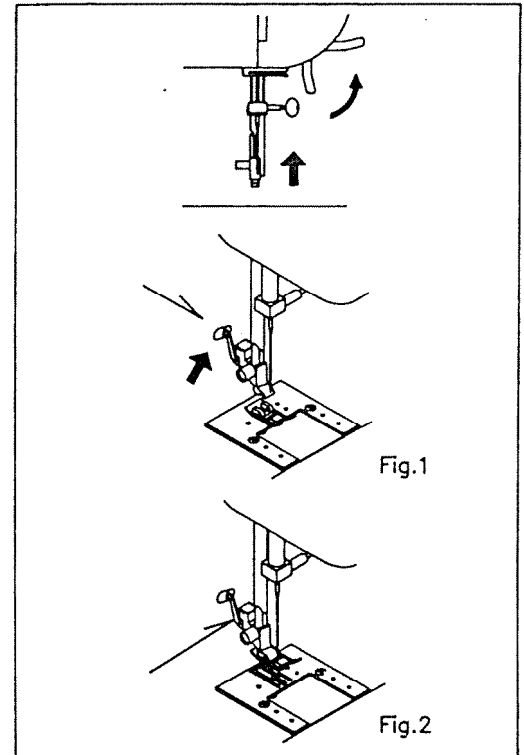
BOBBIN TENSION

The bobbin tension has been correctly set at the factory so you should not need to adjust it.

CHANGING PRESSER FEET

Be sure the needle is in the highest position. Raise the presser foot lever.

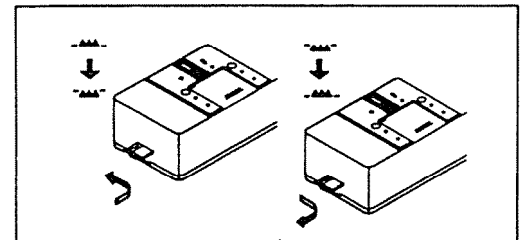
1. Push the foot release lever (at the back of the foot) up to remove the presser foot.
2. Place the desired foot on the needle plate and lower the ankle/shank until it lines up with the bar on the presser foot and snaps in place.



FEED TEETH LEVER

The feed teeth move the fabric under the presser foot as it is sewn. The feed teeth should be up for all general sewing. Lower the feed teeth for free motion darning, embroidery, monogramming and stipple quilting. When the feed teeth are lowered, you must move the fabric as you sew.

To lower the feed teeth, push the lever in and to the right. To return the feed teeth to the up position, push the lever to the front.



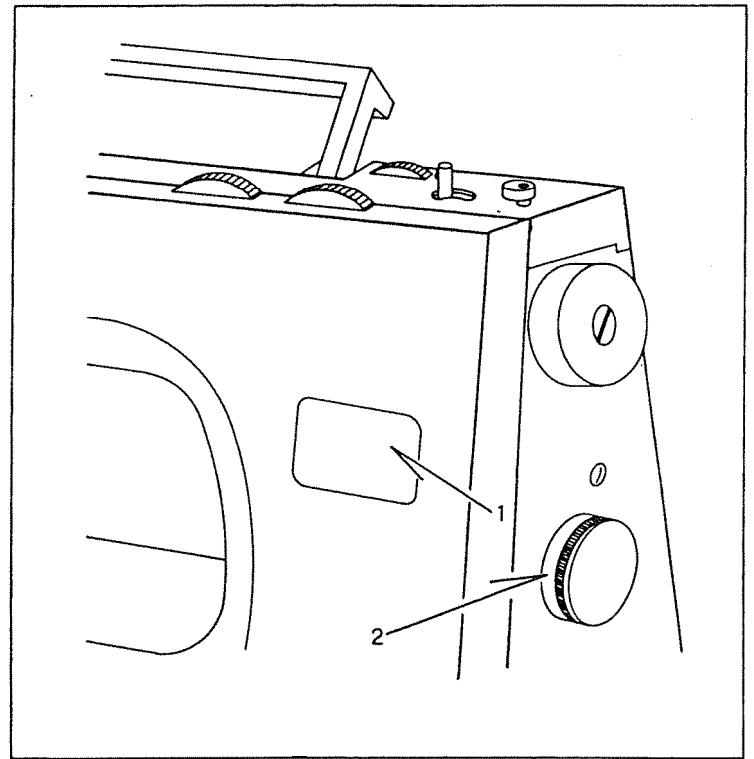
STITCH PATTERN SELECTOR AND INDICATOR

The stitch patterns are pictured on the front of the machine.

1. To select a stitch, be sure the needle is out of the fabric in the highest position.
2. Turn the Stitch Selector dial until the desired stitch is indicated by the red symbol on the indicator panel.

Two numbers will appear in the window.

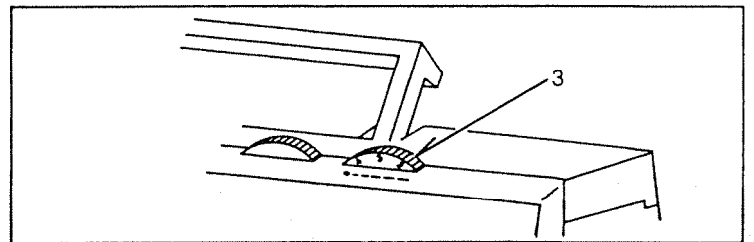
To stitch the upper number, set the stitch length between 0 and 5. To stitch the lower number, set the stitch length to the green "S".



STITCH LENGTH AND STRETCH STITCH SETTING

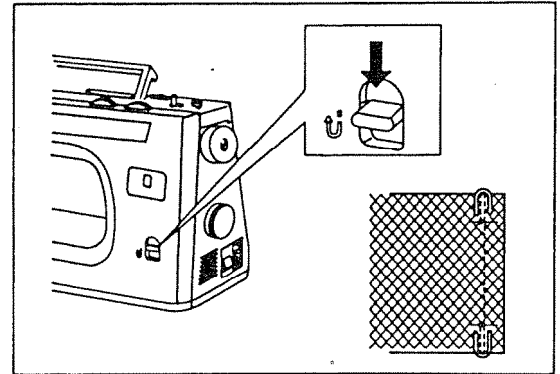
Stitch length is adjusted according to the thickness and the type of fabric. Stitch length settings will be suggested for each stitch. You can adjust length to your fabric and technique.

Stretch stitch patterns are selected by turning the stitch length dial to the green "S".



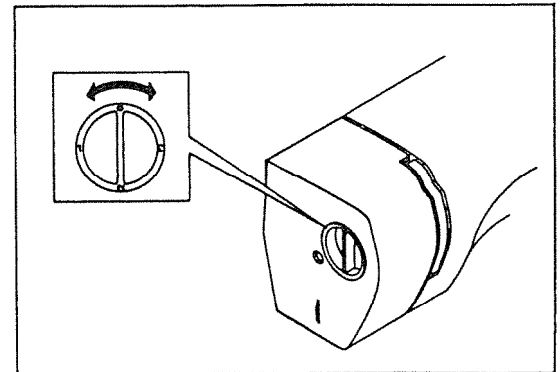
REVERSE STITCH LEVER

Sewing in reverse at the beginning and end of seams will reinforce the seam and keep the ends from coming unstitched. To sew in reverse, push down on the reverse lever. The machine will sew backwards as long as you hold the lever down.



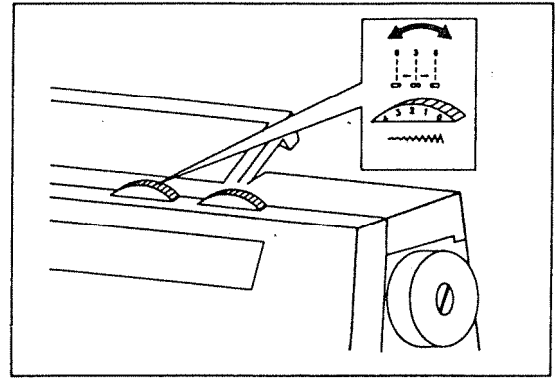
PRESSER FOOT PRESSURE DIAL

This dial regulates how hard the presser foot is pushing down on the fabric. Too little pressure may cause poor feeding of the fabric, skipped stitches, or difficulty in guiding the fabric as you sew. Too much pressure may result in one layer feeding ahead of another or feed teeth or presser foot marks on the fabric. For most fabrics set the dial at 2. For thicker fabric increase the dial to 3 and for thin fabric decrease to 1.



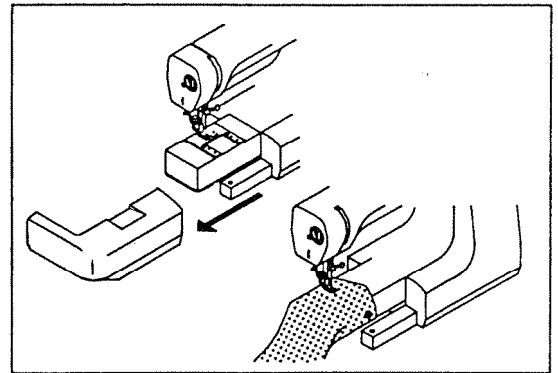
STITCH WIDTH DIAL

The stitch width dial sets the needle to swing from side to side as in a zig zag stitch. The higher the number set for stitch width, the wider the stitch. Most stitches recommend stitch width 3 but you can vary the width setting for narrower or wider stitches.



FREE ARM SEWING

Your White Sewing Machine can be used with a flat bed or a free arm. Slide on the flat bed extension for a larger working surface. Slide the flat bed extension to the left to remove it for free arm sewing on smaller projects, sleeves, hems and children's clothes.



STRAIGHT STITCH #4

The center needle straight stitch is the most used stitch for sewing. Set the stitch, then select the stitch length best for your project.

1. Straight stitch, center needle position

Stitch Selector Dial-Stitch 4

Stitch Width 3

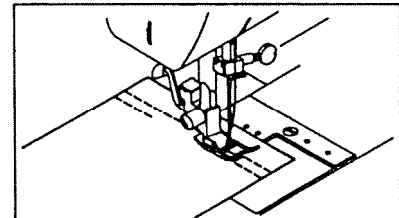
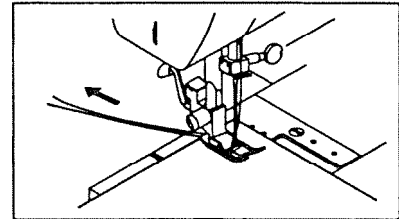
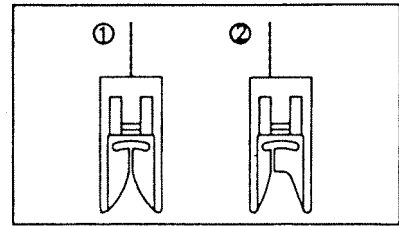
Stitch Length 2-3 for normal sewing

2. Straight stitch, left needle position

Stitch Selector Dial-Stitch 4

Stitch width 6

Stitch length 2-3



STARTING TO SEW

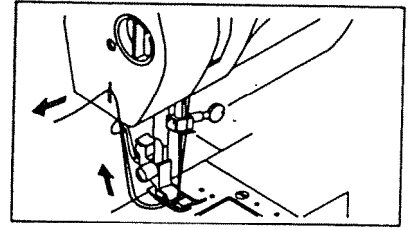
Before placing the fabric under the presser foot, turn the hand wheel to bring the needle to the highest position. Place about 5 inches of top and bobbin threads under the presser foot and toward the back. Place your finger on the thread ends and hold them in place as you begin to sew.

Begin sewing about 3/8 inch from the edge of the fabric and then press the reverse lever to sew in reverse to the fabric edge and lock the beginning of the seam. Release the reverse lever and sew the seam. Reverse at the end to lock stitch.

REMOVING FABRIC

When you have reached the end of a seam, stop sewing and turn the hand wheel toward you to bring the needle to the highest position. Raise the presser foot and pull the fabric out from under the foot to the back of the machine.

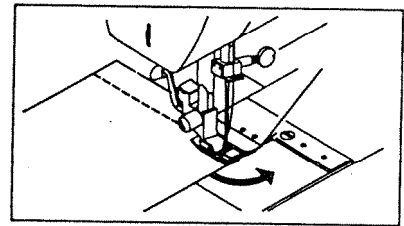
Cut the threads in the thread cutter on the left side of the machine.



STITCH A CORNER/PIVOTING

To stitch or pivot around a corner, sew to 5/8" from the fabric edge (stop sewing with the fabric edge at the corner guideline), stop sewing with the needle in the fabric. Raise the presser foot and turn the fabric.

The edge of the fabric will align with the 5/8 inch seam guideline on the needle plate. Lower the presser foot and sew.



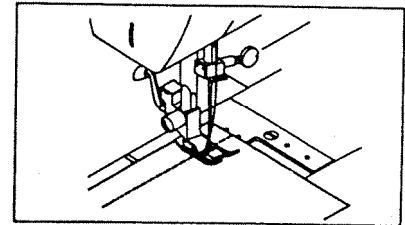
BASTING

Sew a basting straight stitch or temporary stitching. This is an easy stitch to pull out later.

Stitch selector 4

Stitch width 3

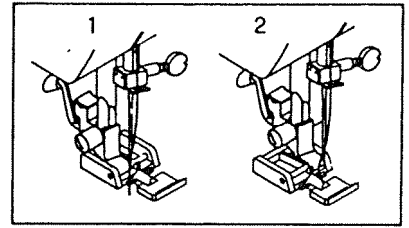
Stitch length 4



INSERT ZIPPERS AND PIPING ZIPPERS

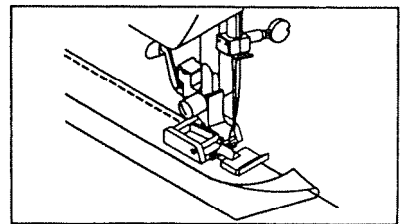
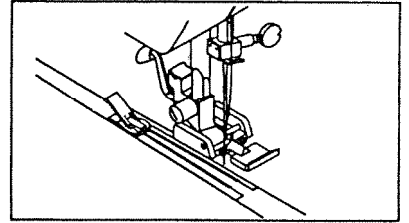
Attach the zipper foot (see page 16) which can be snapped on to the right or left of the foot sew you can stitch close to the zipper on the right or left side.

Illustration 1: Needle to the left of foot
2: Needle to the right of foot



Stitch Selector 4
Stitch width 3
Stitch Length 2-3

To insert zippers, consult the zipper package for instructions on how to prepare zipper placket and place zipper. To sew close to the zipper on the right side, snap the zipper foot onto the ankle on the left side so the needle passes through the opening on the left side of the foot. Snap the foot onto the ankle on the other side of the foot to sew the close to the left side of the zipper.



PIPING

Stitch Selector 4
Stitch Width 3
Stitch Length 3

To insert piping, purchase pre-made piping or cover cording with a bias strip of fabric using the zipper foot snapped on to the left side of the ankle. Place the piping between two layers of fabric. Stitch with the piping next to the foot so the stitching is tight against the cord.

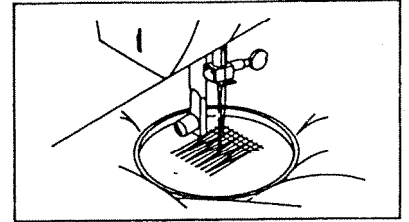
MACHINES QUILTING/PIECING

Stitch Selector 4

Stitch Width 3

Stitch Length 2

To sew fabric pieces together for a quilt (quilt piecing), attach the 1/4 inch foot. Place the fabric edge aligned with the edge of the foot as you stitch.



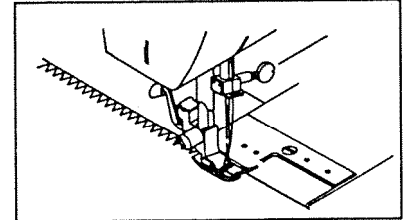
FREE-MOTION STIPPLING

Stitch Selector 4

Stitch Width 3

Stitch Length 0

The stippling technique is a free-motion stitch for quilting. Lower the feed teeth. Remove the presser foot and ankle. Set the presser foot pressure to 0. Hoop the quilt or fabric. Move the fabric under the needle to create a wavy straight stitch quilting.



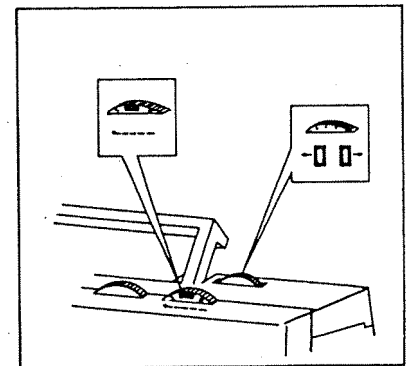
DARNING

Stitch Selector 4

Stitch Width 3

Stitch Length 0

With this free-motion stitch you can sew over holes and tears. Lower the feed teeth and remove the presser foot and ankle. Set presser foot pressure to 0. Hoop the fabric and move it back and forth to stitch over the area needing darning.



REINFORCED STRAIGHT STITCH

Stitch Selector 22
Stitch Width 3
Stitch Length-S+

The reinforced straight stitch is stronger than a regular straight stitch and will stretch with the fabric. Use it to seam stretch fabrics and to sew and mend crotch seams and other areas of garments that are subject to strain in both stretch and woven fabrics.

ZIG ZAG STITCH

Stitch Selector 5
Stitch Width 1-5 (the higher the number, the wider the zig zag stitch)
Stitch Length 2-4 (the lower the number, the closer together the zig zag stitch)

The stitch length and width can be adjusted to create different sizes and types of zig zag stitch. Begin sewing with stitch width 1 and turn the stitch length dial toward higher numbers as you sew. Set the stitch width dial at 1 and begin sewing. Turn the stitch width dial to higher numbers as you sew.

BUTTON SEWING

Stitch Selector 5
Stitch Width 3-5 (adjust as needed so zig zag stitches in the holes of the button)
Stitch Length 0
Lower the feed teeth. Tape the button onto the fabric with transparent tape. Use the zig zag presser foot or no foot. Lower the presser foot lever and turn the hand wheel by hand carefully and adjust the stitch width so the needle goes into the holes in the button. Sew 6 to 8 zig zag stitches to secure the button. Set stitch width to 0 and sew several stitches to lock stitch.

APPLIQUE SATIN STITCH

Stitch Selector 5
Stitch Width 3-5
Stitch Length-buttonhole setting

Stitch the applique in place with a satin stitch. Fuse the applique to the fabric with a fusible web. Place tear-a-way stabilizer under the fabric. Try the stitch on a scrap of stabilized fabric before sewing on your project and adjust the stitch length as needed. For best results, thread the top with a decorative Rayon thread. Set the stitch width from 2-5. The larger the applique, the wider the width setting. Set the stitch length at 1 and then begin to sew on your scrap. Turn the stitch length dial toward the buttonhole setting slowly until the zigzag stitching is very close together and satiny. This is called a satin stitch. An open toe applique foot, available as an optional accessory will feed smoothly over the satin stitch thanks to a tunnel on the underside of the foot and the open toe gives visibility as you sew around the applique.

MONOGRAM/FREE-MOTION EMBROIDERY

Stitch Selector 5
Stitch Width 5
Stitch Length 0

Lower the feed teeth. Remove the presser foot and ankle. Draw the monogram or design on the fabric with a fabric marking pencil. Place the fabric in a hoop with stabilizer under the fabric. Place the hooped fabric under the needle and follow the marked letter or design with the stitching. Move the hoop without turning it. You must move the fabric because the feed are lowered.

BLIND HEM STITCH

Woven Blind Hem-for woven fabrics

Stitch Selector 6

Stitch Width 3

Stich Length 2

Stretch Blind Hem-for stretch fabrics

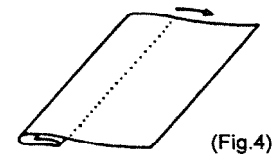
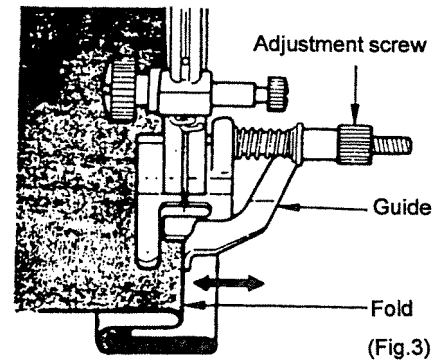
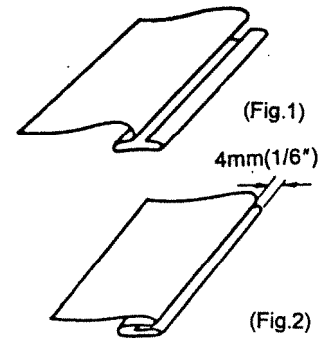
Stitch Selector 9

Stitch Width 4

Stitch Length 2

Attach the blind hem presser foot

1. First finish the hem edge (for lightweight fabric, press 1/4 inch to the wrong side, for heavier fabric, use multiple zig zag to overcast the edge). Figure 1.
2. Press the hem in place. Fold the hem toward the right side leaving about 1/4 inch of the wrong side of the hem edge extending. Figure 2.
3. Place the wrong side of the garment under the blind hem presser foot with the extension to the right and the fold of the hem against the guide in the foot as illustrated in figure 3. Turn the hand wheel to take a few stitches and turn the screw on the foot to adjust the guide so the stitch just catches the fold. Figure 3.
4. Press both sides of the finished hem. The right side should barely show the stitches.



MULTIPLE ZIG ZAG STITCH

Stitch Selector 8
Stitch Width 4
Stitch Length 1-2

The multiple zig zag is an extra strong zig zag stitch because it sews three short stitches in each step of the zig zag. Use the multiple zig zag for overcasting edges, mending tears, patching, sewing terrycloth and attaching flat elastic.

MENDING

Stitch Selector 8
Stitch Width 6
Stitch Length 1

Patches

Place a patch over the worn area of the garment. Sew along the edge of the patch with the right swing of the stitch along the right edge of the patch. Trim away the worn part of the garment from the wrong side, close to the stitching.

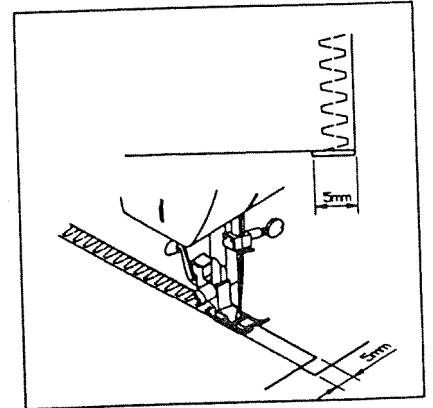
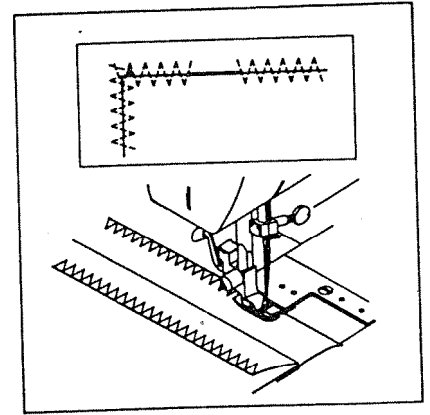
Mending a rip

Place a piece of lightweight fabric or interfacing under the rip to reinforce it. Sew down the center of the rip and sew again on each side of the rip. Trim away the excess interfacing from the wrong side.

DOUBLE ACTION STITCH

Stitch Selector 12
Stitch Width 4
Stitch Length 1-2

The double action stitch is ideal for sewing flat overlapped seams. Use this stitch for sewing actionwear and for elastics.



LINGERIE SEWING

SEAM AND OVERCAST

1. Regular Lingerie Stitch

Stitch Selector 10

Stitch Width 5

Stitch Length 1-2

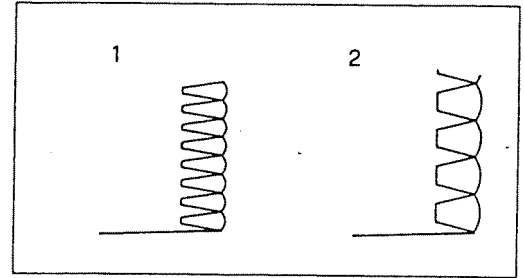
2. Four Point Lingerie Stitch

Stitch Selector 7

Stitch Width 5

Stitch Length 1-2

Place the right sides of the fabric together and place under the presser foot so the right swing of the stitch sews just off the edge of the fabric.



SHELL HEM

Regular Shell Stitch-for tiny shell hem on lightweight fabrics

Stitch Selector 10

Stitch Width 5

Stitch Length 1-2

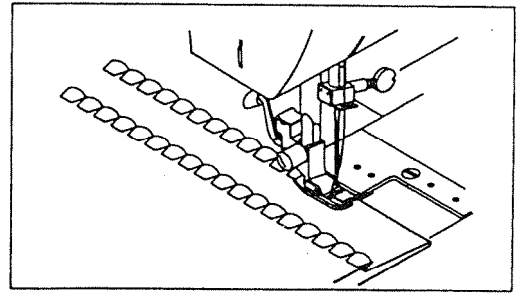
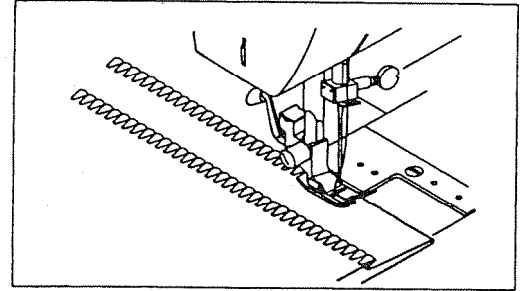
Four point shell stitch-for larger shell hem pattern

Stitch Selector 7

Stitch Width 5

Stitch Length 1-2

Turn under the raw edge of fabric and press. Place the fabric right side up under the presser foot so the right swing of the stitch sews just over the fabric edge. Trim away excess fabric from the wrong side, close to the stitching.



ELASTIC CASING

Stitch Selector 10

Stitch Width 6

Stitch Length 2

Place 1/8 inch wide elastic under the presser foot and stitch without catching the elastic. Once the casing is sewn, pull up the elastic to the desired fullness.

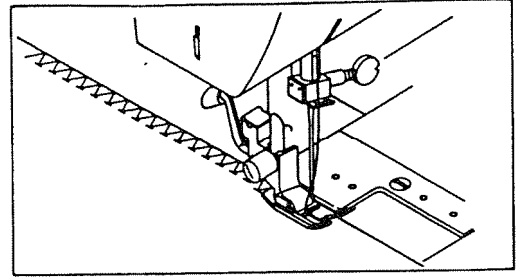
OVERLOCK STITCH

Stitch Selector 25

Stitch Width 5

Stitch Length -S+

This is the same type of stitch used by the garment industry to sew the seam and overcast it in one step. This stitch sews sturdy garment repairs and mending.



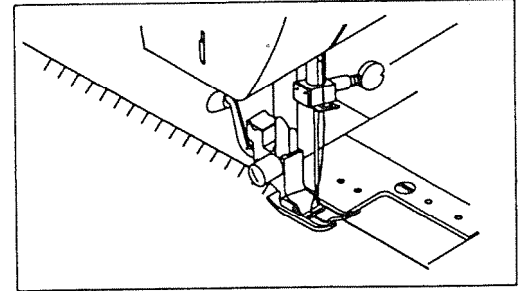
SLANT OVEREDGE STITCH

Stitch Selector 24

Stitch Width 5

Stitch Length -S+

Sew this stitch near the raw edge of the fabric and trim close to the edge of the stitching for a decorative edge finish on table and bed linens. Sew it on lightweight fabrics to create a picot edge.



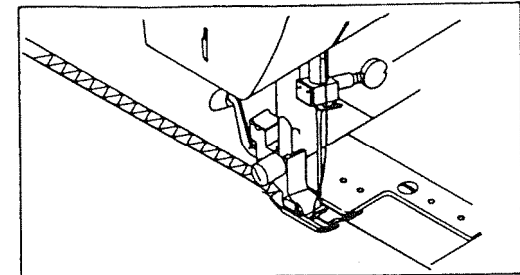
DECORATIVE CASING STITCH

Stitch Selector 28

Stitch Width 5

Stitch Length -S+

The casing stitch attaches flat elastic when making or repairing lingerie and is ideal to overcast or seam overcast lightweight woven and stretch fabrics. Use it to stitch over ribbon or yarn for a decorative effect.



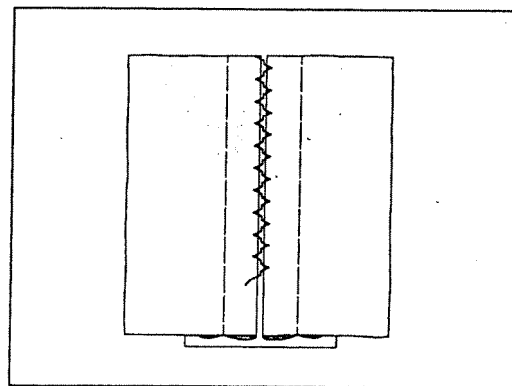
JOINING STITCH

Stitch Selector 11

Stitch Width 5

Stitch Length 1

Join two pieces of fabric or lace with a space between them for a decorative look. Fold under the seam allowance on the cut edges, and press. Place on stabilizer with 1/8 inch between the two fabric edges and baste as needed. Stitch over the 1/8 inch opening just catching the fabric on both sides. Remove stabilizer and press.



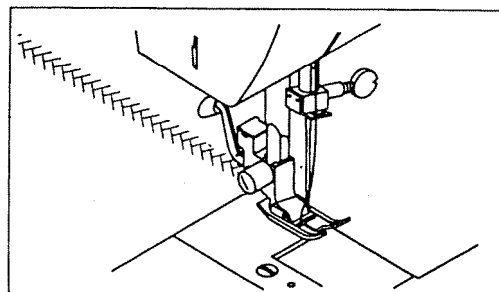
STRETCH MULTIPLE ZIGZAG

Stitch Selector 26

Stitch Width 5

Stitch Length -S+

Select the stretch multiple zig zag to overcast medium to heavy weight knit and stretch fabrics where strength and flexibility are required.



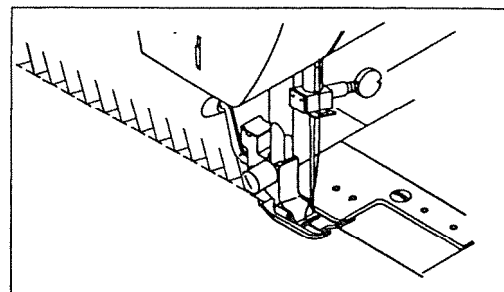
STRETCH SEAM AND OVERLOCK STITCH

Stitch Selector 31

Stitch Width 4

Stitch Length -S+

Seam and overcast in one step on medium to heavy weight fabrics to create a sturdy stretch seam on swimwear, sport sweat,t-shirts, baby garments, stretch terry, and jersey fabrics.



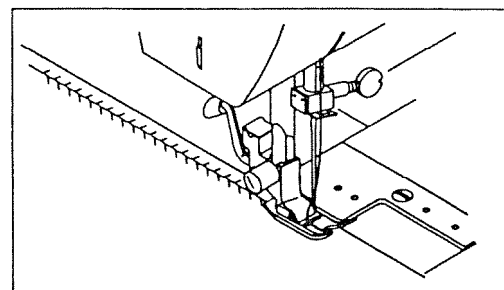
FEATHER STITCH

Stitch Selector 29

Stitch Width 6

Stitch Length -S+

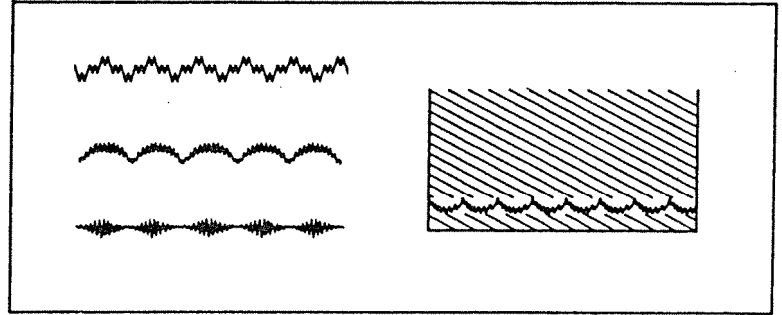
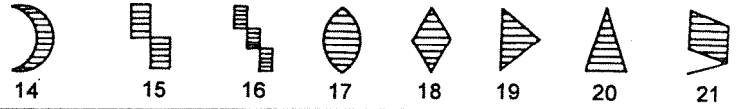
This beautiful stitch is used for joining fabric, decorative crazy patch quilting and embellishment.



DECORATIVE EMBROIDERY STITCHES

Stitch Selector

- 14 Satin Scallop
- 15 Double Checker Stitch
- 16 Checkerboard Zig Zag
- 17 Satin Oval
- 18 Satin Diamond
- 19 Satin triangle
- 20 Taper Satin
- 21 Checker Stitch



Stitch Width 6

Stitch Length-Buttonhole setting

Your machine will sew a wide range of beautiful decorative embroidery stitches. Select design, set the width and length and sew. For best results, place stabilizer under the fabric to keep it from puckering and distorting.

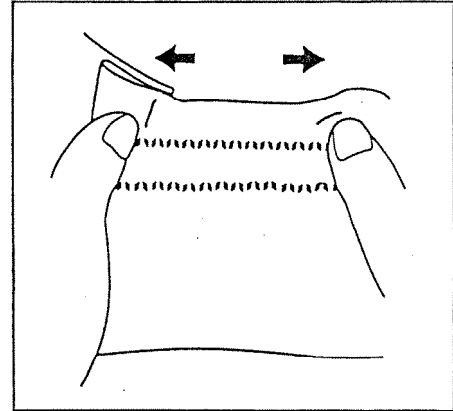
RIC RAC STITCH

Stitch Selector 23

Stitch Width 5

Stitch Length -S+

Use the ric rac stitch decoratively and to sew heavy weight stretch fabrics or to join butted leather pieces together.



REINFORCED

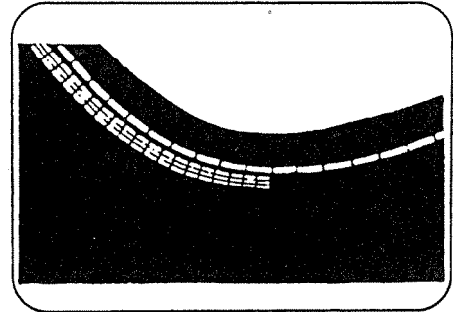
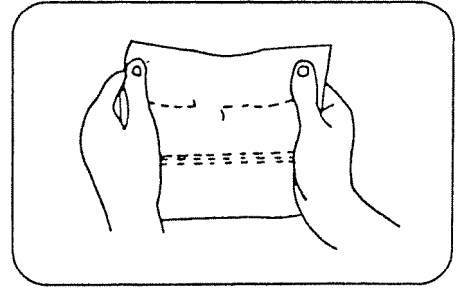
Reinforced straight seam is used seam stretch fabrics when a straight stitch is desired.

Stitch selector 22

Stitch width 3

Stitch length -S+

Reinforced straight stitch is stronger than ordinary straight stitching, and will stretch with the fabric. Reinforced straight stitch is also preferable for sleeve insertion and for crotch seams which are subject to considerable strain, even in nonstretch fabrics.



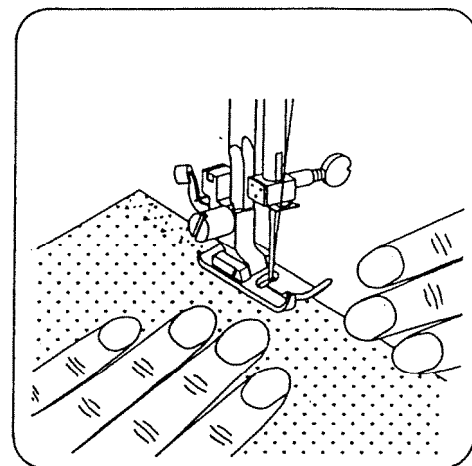
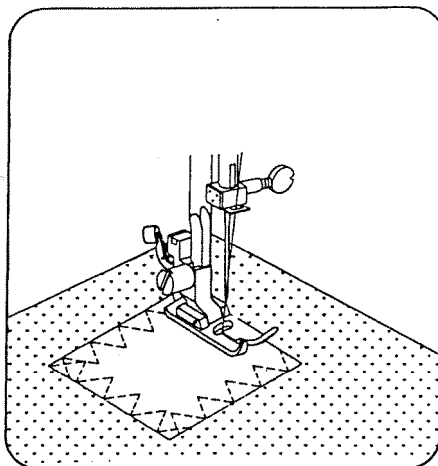
MENDING

Stitch Selector 8

Stitch Width 6

Stitch Length 1

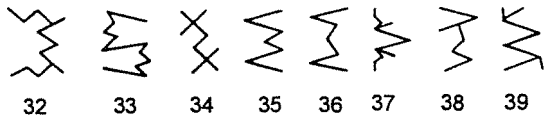
Place the patch over the worn part. Pull thread ends toward back or left when starting sewing. Sew along the edge of the patch on the right side. Trim away the worn part close to the seam on the wrong side.



MENDING A RIP

Set machine in the same way as for patching. A piece of interfacing can be placed underneath to reinforce the rip. Sew the edges of tear together first. Then sew two more seams on either side.

DECORATIVE STITCHES

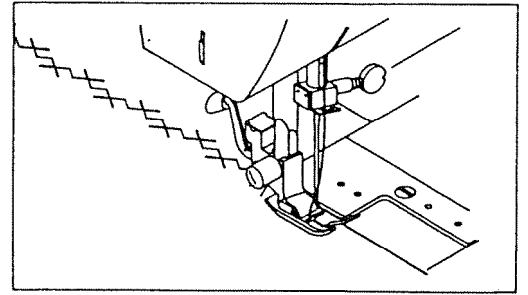


Stitch Selector 32-39

Stitch Width 6

Stitch Length -S+

Place stabilizer under the fabric. Thread with decorative Rayon thread. These stitches are beautiful for crazy patch quilting and decorative seam and overcasting. The zig zag scallop 38 for decorative edge stitching, and stitch 34 for cross stitch borders.



BUTTONHOLES

Stitch Selector 1-2-3-2

Stitch Width 5

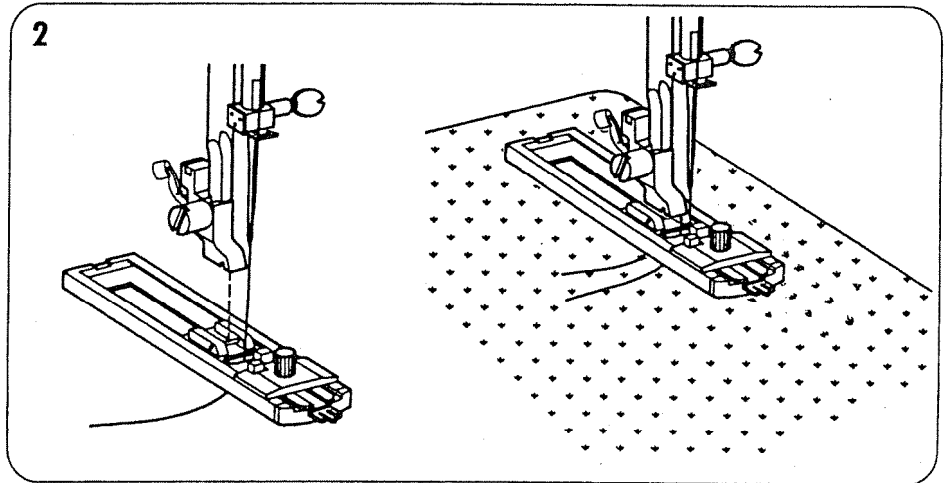
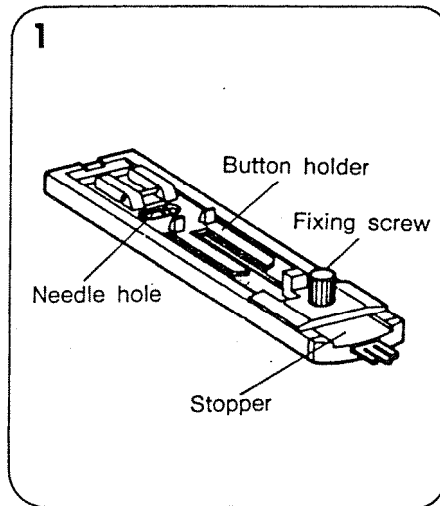
Stitch Length-buttonhole

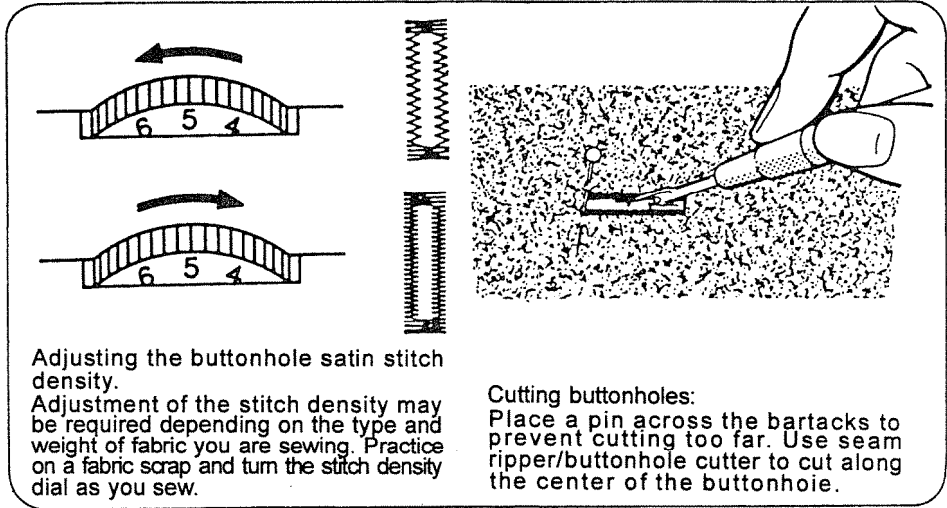
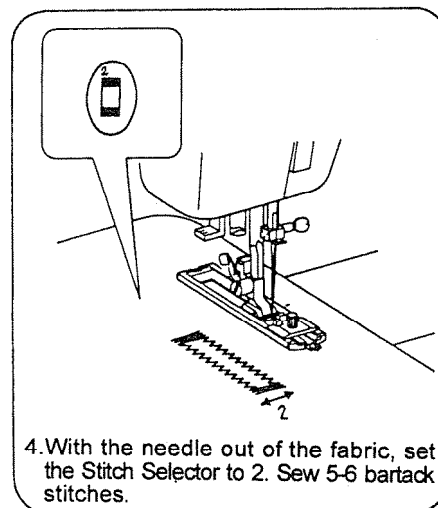
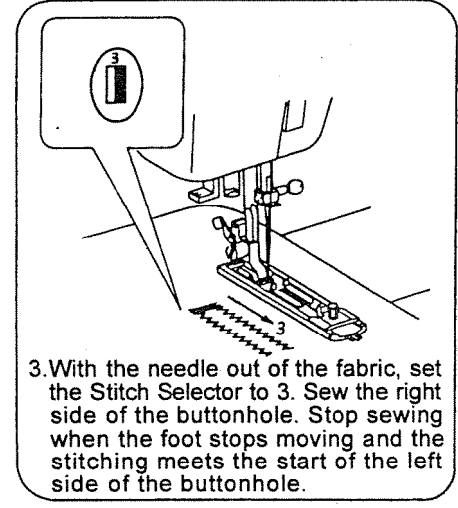
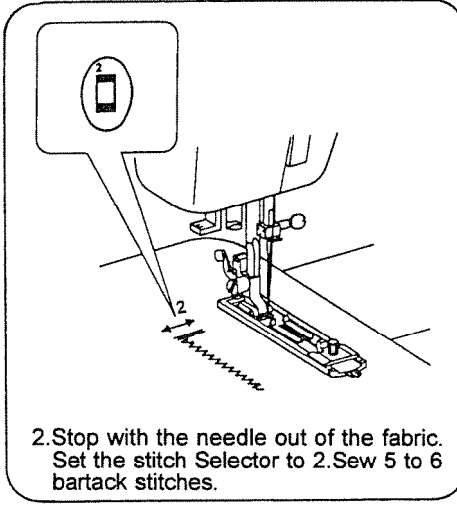
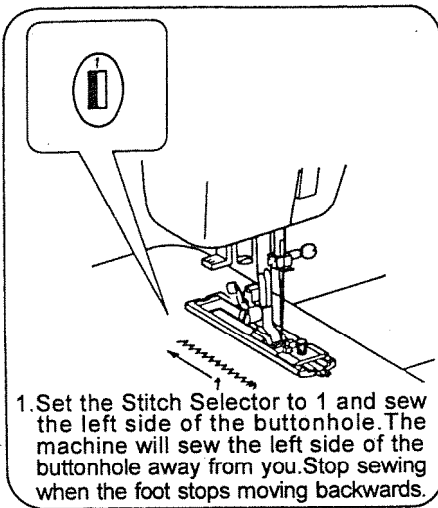
SET BUTTONHOLE SIZE

Loosen the fixing screw on the buttonhole foot. Pull the button holder to the back. Place the button in the foot, push the stopper toward the button in between the button holder and stopper and tighten the screw. Remove the button.

ATTACH BUTTONHOLE FOOT

Pull the needle thread through the hole of the buttonhole foot, attach the buttonhole foot and pull top and bobbin threads to the left. Place the fabric under the foot and push the foot away from you as far as it will go, then lower the presser foot.



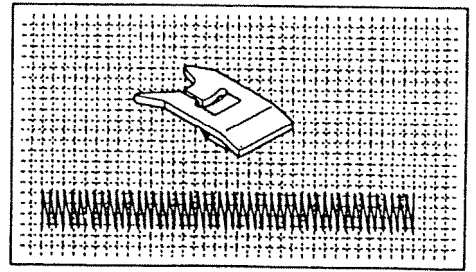


OPTIONAL ACCESSORIES

The optional accessories pictured and described here are not included with your White Sewing Machine but can be purchased from your local White Sewing Machine store.

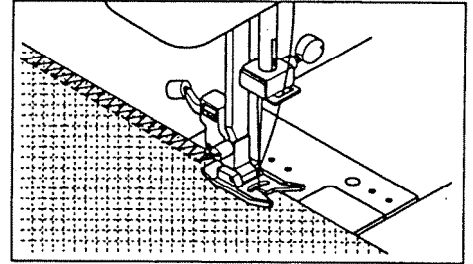
OVERCASTING FOOT

This foot will guide fabric when overcasting. Place the fabric under the foot with the edge of the fabric against the edge guide on the foot.



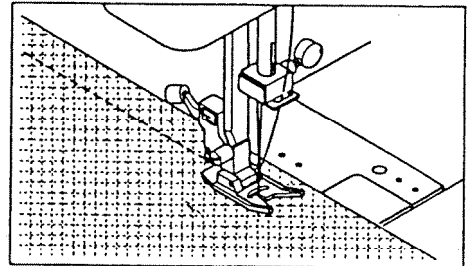
SATIN STITCH FOOT

The satin stitch or applique foot has a groove on the underside to feed smoothly over dense satin and decorative stitches. Always place stabilizer under these stitches to prevent puckering.
Stitch Selector 4
Stitch Width 3
Stitch Length 4



GATHERING

Sew two rows of long straight stitch 1/4 inch apart. Then pull up on the bobbin threads to gather the fabric.
Stitch Selector 25
Stitch Width 3
Stitch Length 4



TOPSTITCHING

Straight Stitch on the outside of the garment for visible decorative topstitching.
Stitch Selector 4
Stitch Width 3
Stitch Length 4

TWIN NEEDLE SEWING

The twin needle sews two rows of stitching on the top side of the fabric. Because you use only one bobbin, the bobbin thread swings back and forth on the underside of the fabric.

Replace the standard needle with a twin needle. Insert the second spool pin. Place a thread spool on each spool pin. Thread the two threads as on up to the thread tension. Place one thread on each side of the tension disk. Then keep the threads together until the twin needle. Thread one thread in each needle. Bring up the bobbin thread as for single needle sewing. Pull the threads under the presser foot to the back of the machine.

Note: The automatic needle threader can not be used to thread the twin needle.

STRAIGHT STITCH

Stitch Selector 4

Stitch Width 3

Stitch Length 3

Stitch to sew a double straight stitch row for topstitching.

PINTUCKS

Insert a twin needle with 1.6 mm or 2.0 mm between the two needles and thread as above. Stitch width 3. Stitch Length 2. Stitch rows of twin needle straight stitch on light weight fabric to sew pintucks. An optional satin stitch or pintuck presser foot will create deeper tucks.

TWIN NEEDLE ZIG ZAG AND DECORATIVE STITCHES

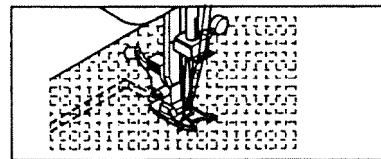
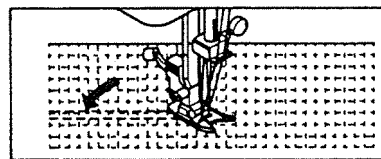
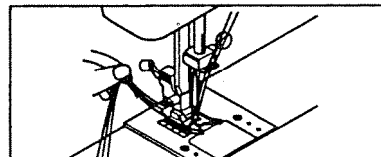
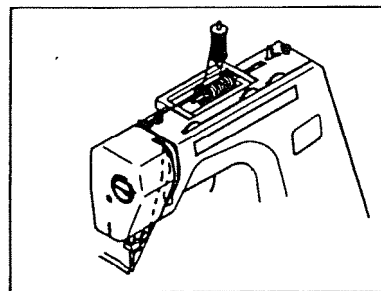
Zig Zag

Stitch Selector 5

Stitch Width 2-Caution-do not set wider or the needle will break

Stitch Length 2

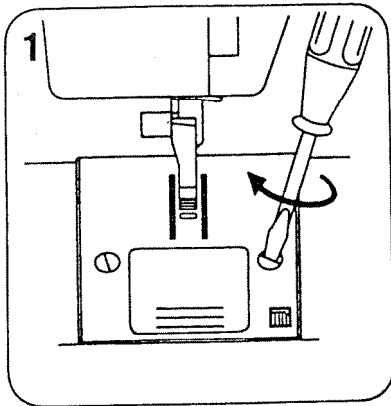
Sew any stitch with the twin needle but be sure the stitch width is not set too wide. Be sure to test the stitch by turning the hand wheel by hand before sewing to see if the needle hits the needle plate. If the width is too wide, set it narrower and test with the hand wheel again.



CARING FOR YOUR MACHINE

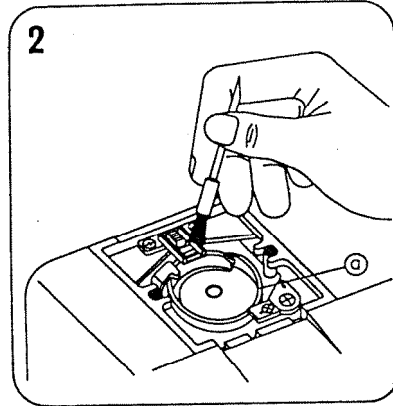
Your White Sewing Machine needs regular cleaning and oiling to keep it sewing well. A machine which is used a few hours a day needs to be cleaned and oiled once a month.

Important: Disconnect the power supply before carrying out machine maintenance.



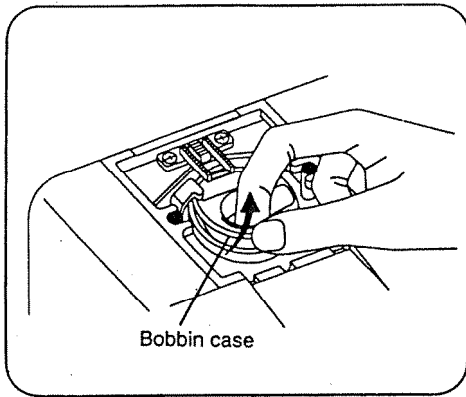
CLEANING

Remove the presser foot, needle and needle plate.

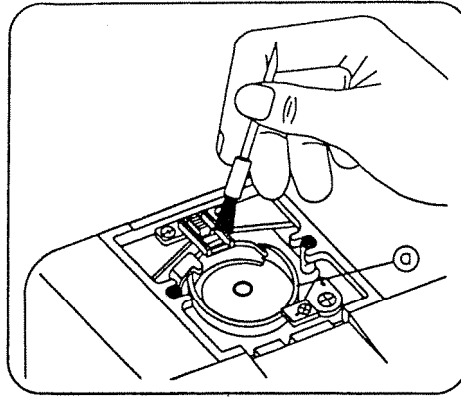


Brush all dust and lint from the feed teeth and bobbin area with cleaning brush.

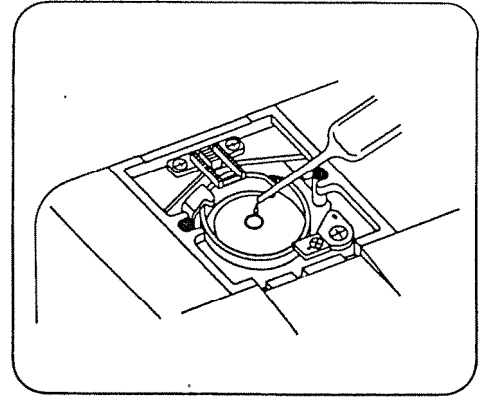
CLEANING SHUTTLE RACE



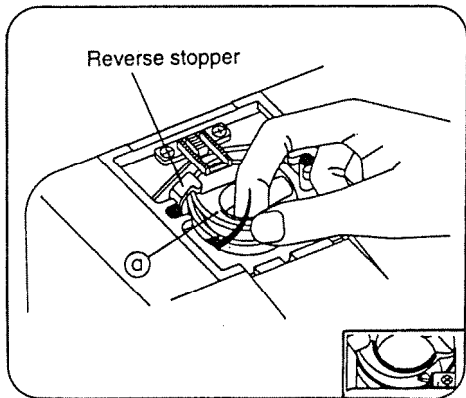
Lift up the bobbin case as picture shown, the bobbin case is than taken out.



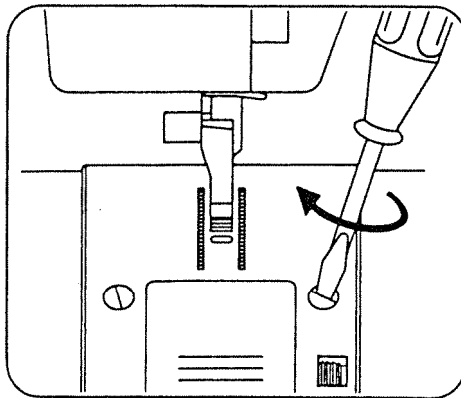
Clean shuttle with brushes.



Apply few drops of oil to the part of shuttle where friction occurs.



Let the part @ of the bobbin case touch the reverse stopper and put in the bobbin case.



Reassemble the needle plate and slide plate.

CHANGING LIGHT BULB

Disconnect from mains supply before changing a bulb. Do not use a bulb of more than 15 watts.

Remove the face cover, Unscrew the bulb and firmly screw in a new bulb. Replace the face cover.

Illustration 1: Light bulb
2: Face cover
3: Screw

